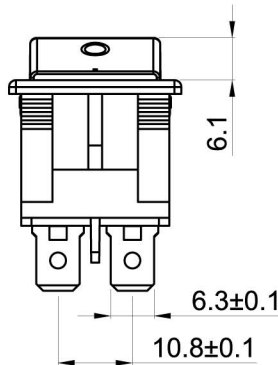
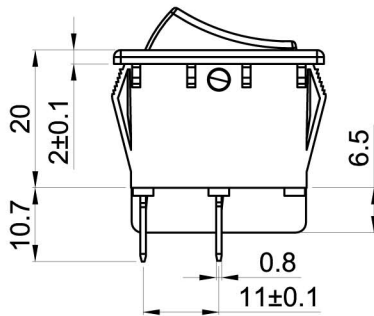
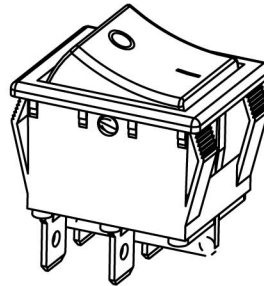
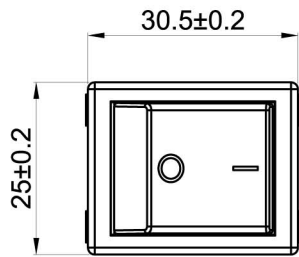
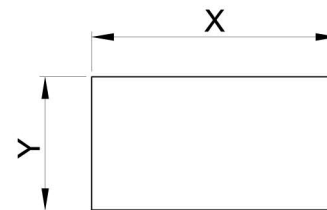


R-4



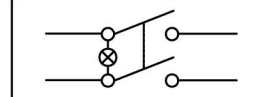
Rating: 20A 125V AC (UL CUL)
 22A 250V AC (ENEC CB CQC)
 Contact Resistance: 50m Ω Max
 Insulation Resistance: DC 500V 100M Ω Min.
 Dielectric Strength: AC1500V 1 minute
 Operating Force: 350±150gf
 Mechanical Life: Over 30,000 cycles
 Electrical Life: Over 10,000 cycles
 Operating Temperature: 0°C~85°C
 Safety Approval:

CUT-OUT



	X	Y
0.75~1.25	28.0+0.1	22.0+0.1
1.25~2.00	28.2+0.1	22.0+0.1
2.00~3.00	28.4+0.1	22.0+0.1

SWITCHING CIRCUIT



MATERIAL:

Body:Nylon66,UL rated:94V-2 min
 Actuator:PC
 Terminal:Brass,silver or tin plated

R-4-210-C5L-BR
 01.086.0144